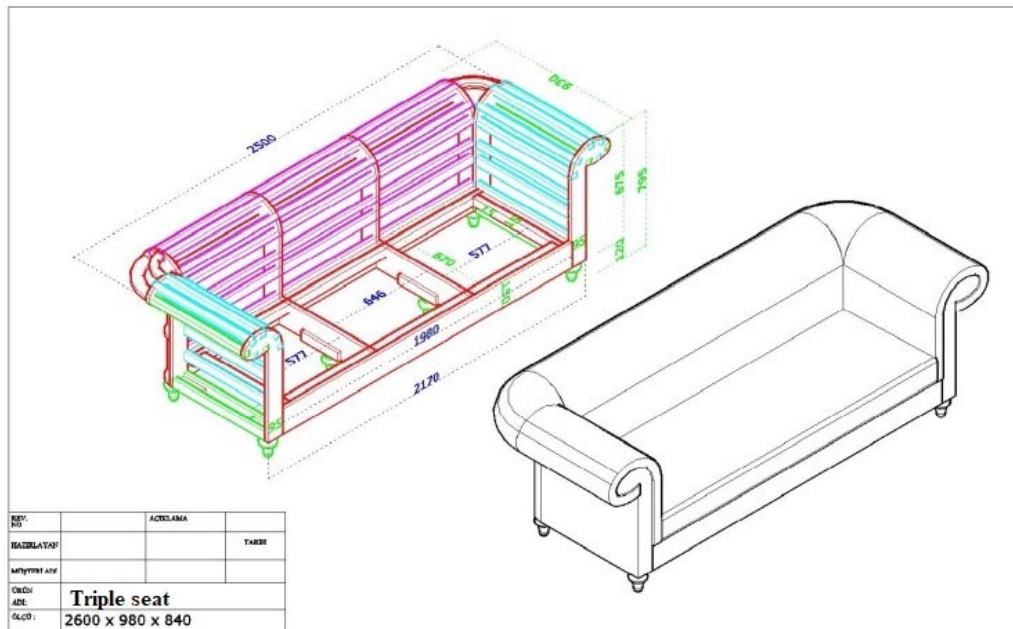


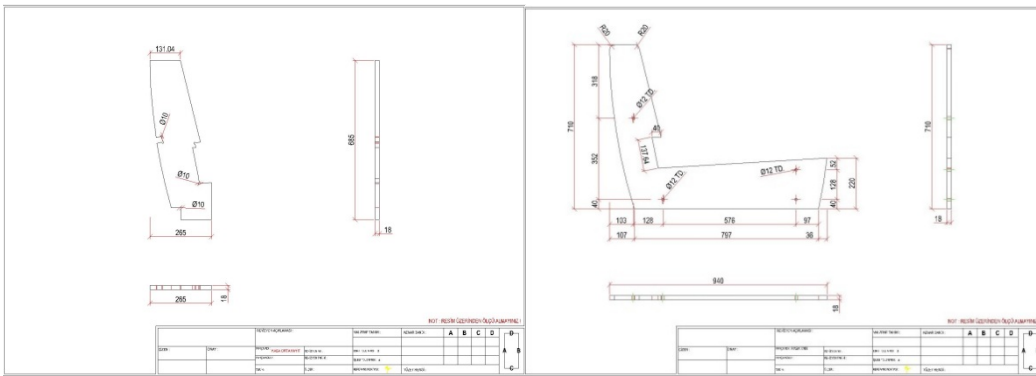
1.1. Drawing the Projected Product

The new product is drawn by hand or prepared in computer environment according to the design created by the shape, idea and other expert opinions formed in the mind of the designer. The aesthetic, economic, technological, originality and functionality expectations of the product should be taken into consideration during the design phase. In order for the design to be produced, the characteristics of the material, process steps, machine park and feasibility, that is, knowledge of production techniques are important in making the final product suitable for the determined functions of the design.

The product design is the stage of the drawings from the start of production to the produced units, clearly identifying the product needs and the procedure of the product until it is transformed into a work order. Product design is the data base of planning activity which is the brain of industrial enterprises.



Picture 1.1: Triple Seat Project



Picture 1.2: Seat Parts Drawings

Firstly, colored, three dimensional perspective and appearance pictures of the designed model are prepared. After this stage, necessary sections are drawn in accordance with technical drawing rules. The details of the connection related to the construction are drawn together with the solutions appropriate to the production and the material properties to be used. Then the production of the prototype is starts. If necessary changes are made to the monitored prototype. The prototype changes that have been finalized are also processed on the drawings and the coding process is started with the parts drawing.