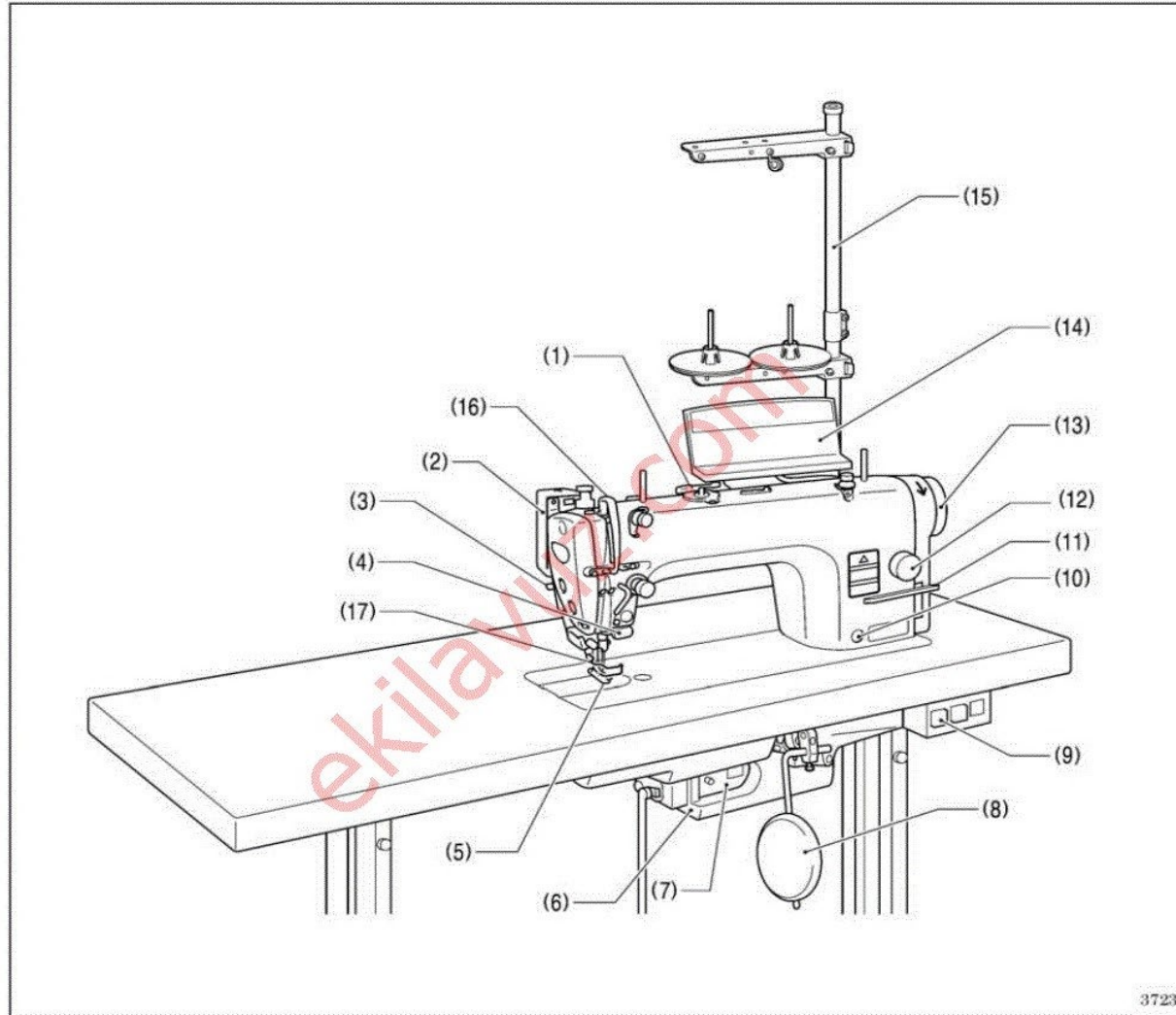


3.1.1 Straight Sewing Machine Parts

- Machine upper part
- Machine subdivision
- Foot (Sewing head)
- Needle



- 1- Bobbin winder
- 2- Thread wiper
- 3- Lifting arm
- 4- actuator
- 5- presser foot
- 6- Control box
- 7- Control box panel
- 8- Breeches (shin pad)

- 9- Contact button
- 10- Oil sight glass
- 11- Reverse stitching lever
- 12- Seam length dial
- 13- Engine pulley
- 14- Operation panel
- 15- Arbour

Safety Apparatus

- 16-Thread take-up cover
- 17- Finger guard

Picture 3.1. Lockstitch Sewing Machine with operation panel