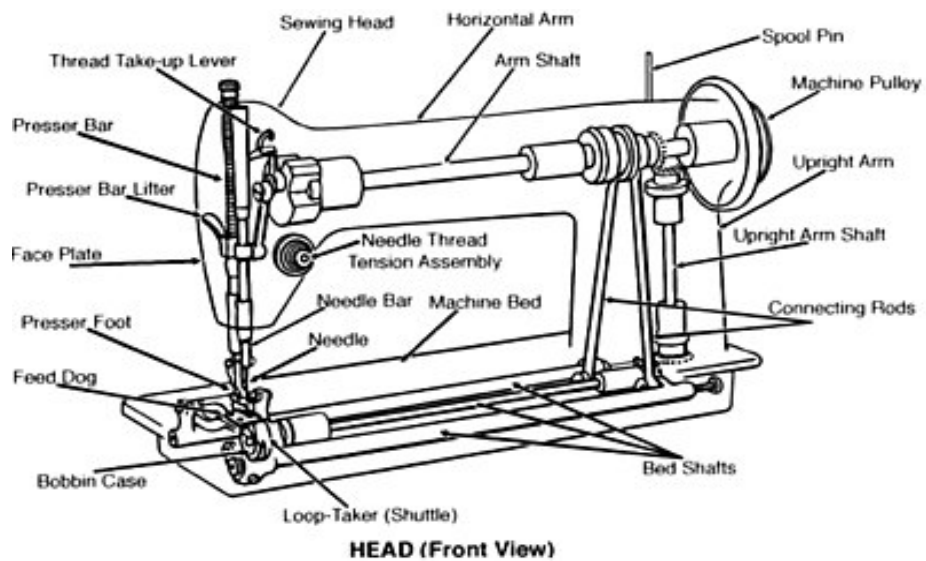


4.2. Straight Stitch

Upper (needle) and bottom (shuttle), consisting of two threads. The machine carries the thread it carries in the needle eye by sewing the bottom yarn that the gripper carries.

The upper thread and the lower thread form the ring at the center of the fabric with each other. In reverse and in the same image has the same. Durability is more, but less flexibility.

Moving on a sewing machine is sewn by shuttle or hook. Straight stitch is double print stitching. The same type of seam arises because of the fabric and vice versa.



Picture 4.1. Formation of Straight Stitch



Picture 4.2. Straight Stitch